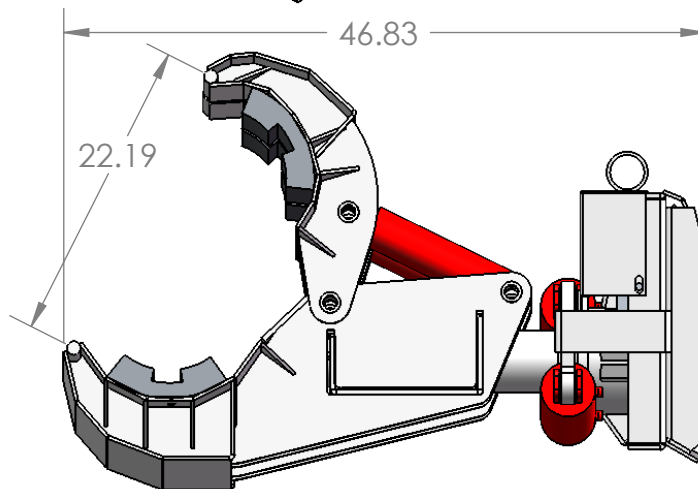
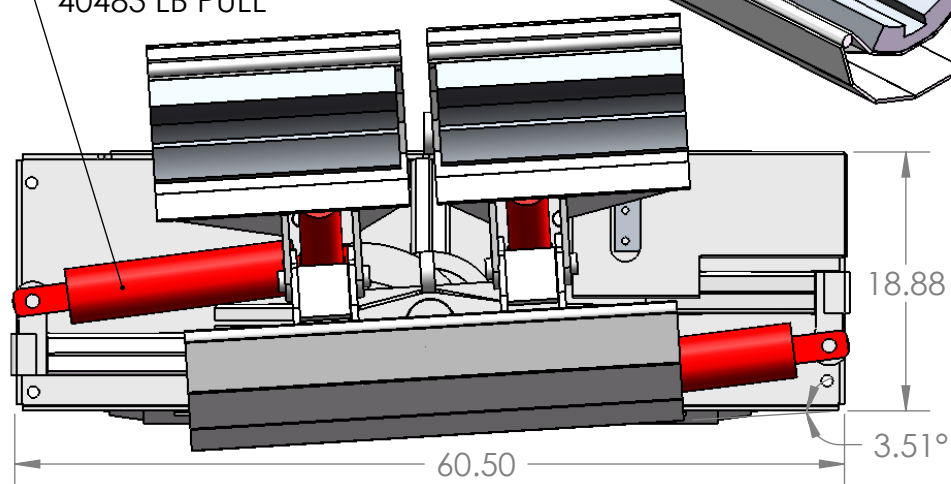


WEIGHT = 1406 LBS.

2X 3" BORE X 6" STROKE  
CYLINDER  
21206 LB PUSH  
13990 LB PULL

2X 4" BORE X 12.5" STROKE  
CYLINDER  
37699 LB PUSH  
40483 LB PULL



PROPRIETARY AND CONFIDENTIAL  
THE INFORMATION CONTAINED IN THIS  
DRAWING IS THE SOLE PROPERTY OF  
EZ-SPOT-UR. ANY REPRODUCTION IN PART  
OR AS A WHOLE WITHOUT THE WRITTEN  
PERMISSION OF EZ-SPOT-UR IS PROHIBITED.

		UNLESS OTHERWISE SPECIFIED:	NAME	DATE
		DIMENSIONS ARE IN INCHES	DRAWN	TIM R. 4-29-2010
		TOLERANCES:	CHECKED	
		FRACTIONAL ±	ENG APPR.	
		ANGULAR: MACH ± BEND ±	MFG APPR.	
		TWO PLACE DECIMAL ±	Q.A.	
		THREE PLACE DECIMAL ±	COMMENTS:	
		INTERPRET GEOMETRIC TOLERANCING PER:		
		MATERIAL		
		FINISH		
NEXT ASSY	USED ON			
APPLICATION		DO NOT SCALE DRAWING		

# EZ-SPOT-UR

TITLE:

## ASSY, HEAVY DUTY POLE CLAW

SIZE <b>A</b>	DWG. NO. HDPC-01-0006OPEN NO SETBACK	REV
------------------	--	-----

SCALE: 1:14 WT: 1405.66 LBS SHEET 1 OF 1