

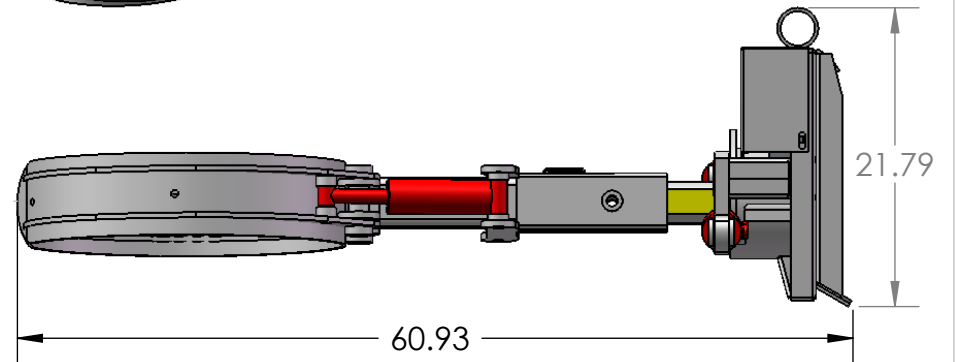
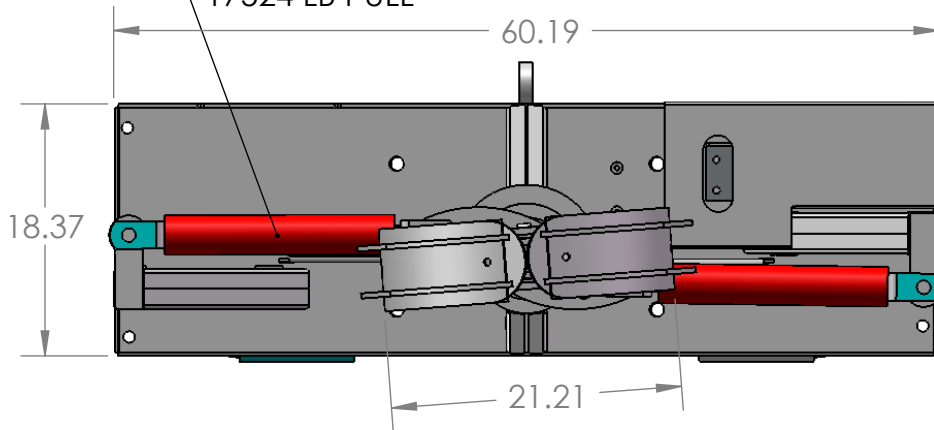
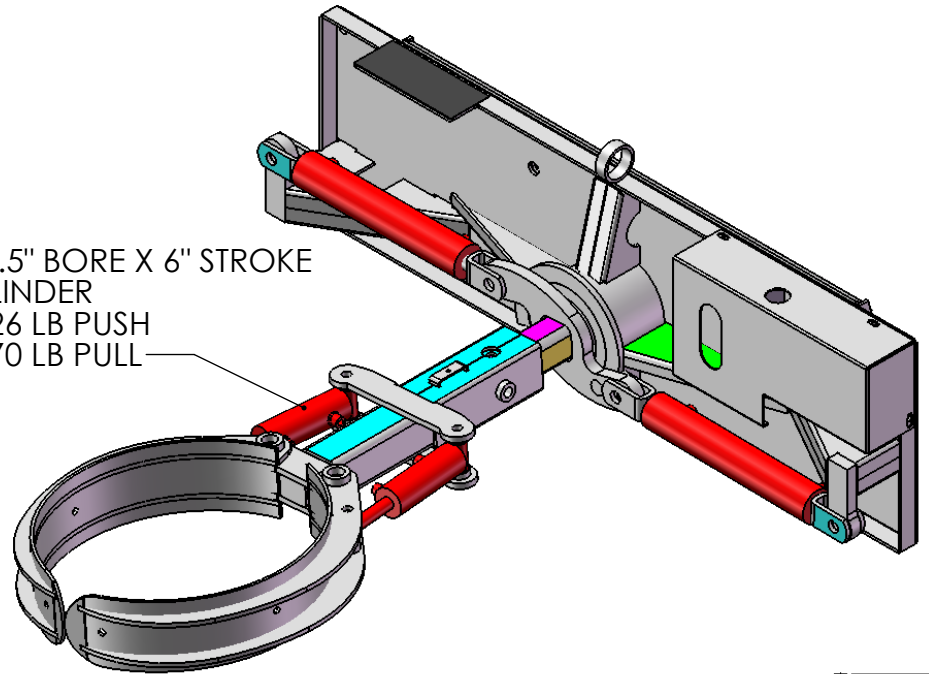
WEIGHT = 540 LBS.

ROTATES 127° TO OPERATOR'S LEFT

(HOSES RATED FOR 15,000 PSI BURST PRESSURE)

2X 2.5" BORE X 6" STROKE  
CYLINDER  
14726 LB PUSH  
12370 LB PULL

2X 3" BORE X 12.5" STROKE  
CYLINDER  
21206 LB PUSH  
17524 LB PULL



PROPRIETARY AND CONFIDENTIAL  
THE INFORMATION CONTAINED IN THIS  
DRAWING IS THE SOLE PROPERTY OF  
EZ-SPOT-UR. ANY REPRODUCTION IN PART  
OR AS A WHOLE WITHOUT THE WRITTEN  
PERMISSION OF EZ-SPOT-UR IS PROHIBITED.

		UNLESS OTHERWISE SPECIFIED:	NAME	DATE	<b>EZ-SPOT-UR</b>	
		DIMENSIONS ARE IN INCHES TOLERANCES: FRACTIONAL ± ANGULAR: MACH ± BEND ± TWO PLACE DECIMAL ± THREE PLACE DECIMAL ±	DRAWN	TIM R.		
		INTERPRET GEOMETRIC TOLERANCING PER:	CHECKED			TITLE:
		MATERIAL N/A	ENG APPR.			ASSY, BARREL HANDLER ON DOUBLE CYLINDER ROTATING BASE
		FINISH	MFG APPR.			SIZE
NEXT ASSY	USED ON		Q.A.			DWG. NO.
			COMMENTS:			EZ-01-0016
						REV
						SCALE: 1:14
						WT: 538.47 LBS.
						SHEET 1 OF 1