

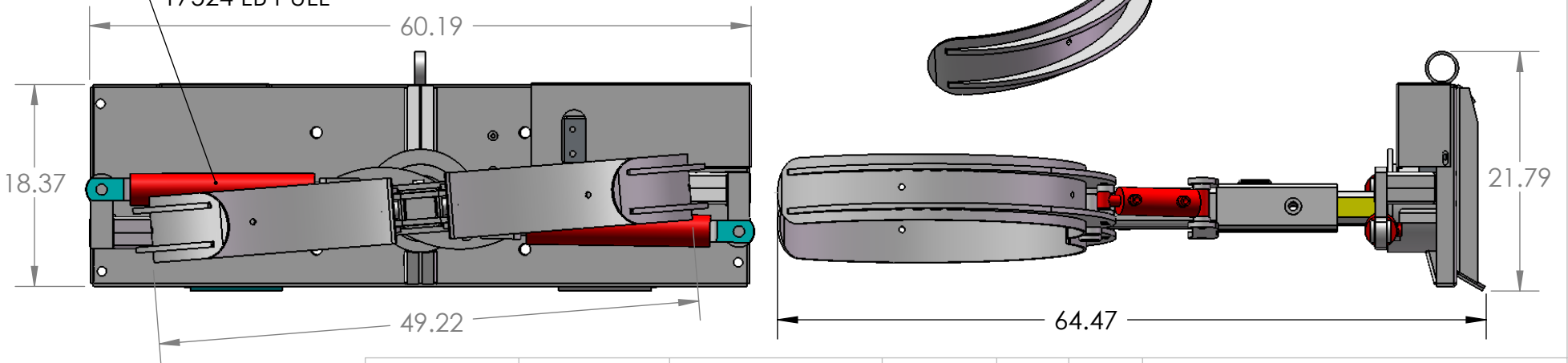
WEIGHT = 571 LBS.

ROTATES 127° TO OPERATOR'S LEFT

(HOSES RATED FOR 15,000 PSI BURST PRESSURE)

2X 2.5" BORE X 6" STROKE
CYLINDER
14726 LB PUSH
12370 LB PULL

2X 3" BORE X 12.5" STROKE
CYLINDER
21206 LB PUSH
17524 LB PULL



PROPRIETARY AND CONFIDENTIAL
THE INFORMATION CONTAINED IN THIS
DRAWING IS THE SOLE PROPERTY OF
EZ-SPOT-UR. ANY REPRODUCTION IN PART
OR AS A WHOLE WITHOUT THE WRITTEN
PERMISSION OF EZ-SPOT-UR IS PROHIBITED.

		UNLESS OTHERWISE SPECIFIED:		NAME	DATE
		DIMENSIONS ARE IN INCHES	DRAWN	TIM R.	7-22-2010
		TOLERANCES:	CHECKED		
		FRACTIONAL ±	ENG APPR.		
		ANGULAR: MACH ± BEND ±	MFG APPR.		
		TWO PLACE DECIMAL ±	Q.A.		
		THREE PLACE DECIMAL ±	COMMENTS:		
		INTERPRET GEOMETRIC TOLERANCING PER:			
		MATERIAL			
		N/A			
		FINISH			
NEXT ASSY	USED ON				
APPLICATION		DO NOT SCALE DRAWING			

EZ-SPOT-UR

TITLE:
ASSY, 110 GALLON BARREL
HANDLER ON DOUBLE
CYLINDER ROTATING BASE

SIZE DWG. NO. REV
A EZ-01-0018 OPEN

SCALE: 1:14 WT: 570.33 LBS. SHEET 1 OF 1