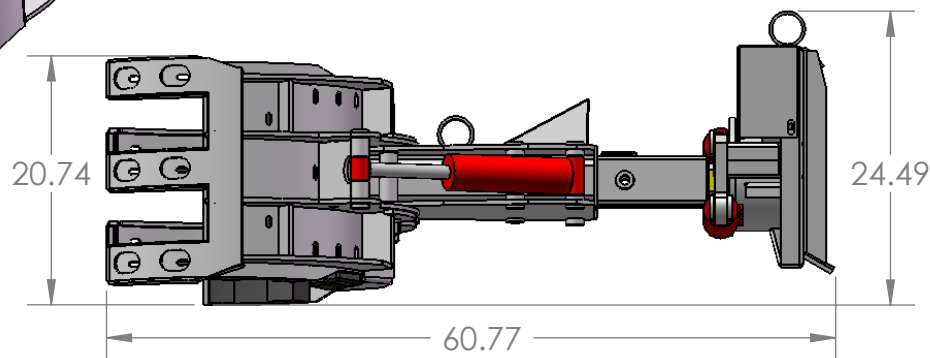
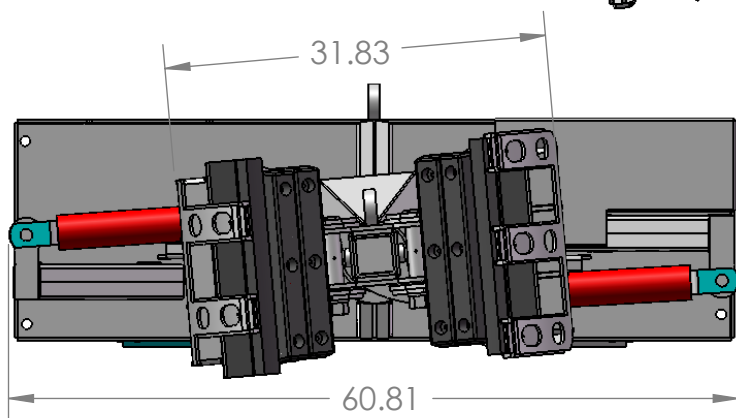
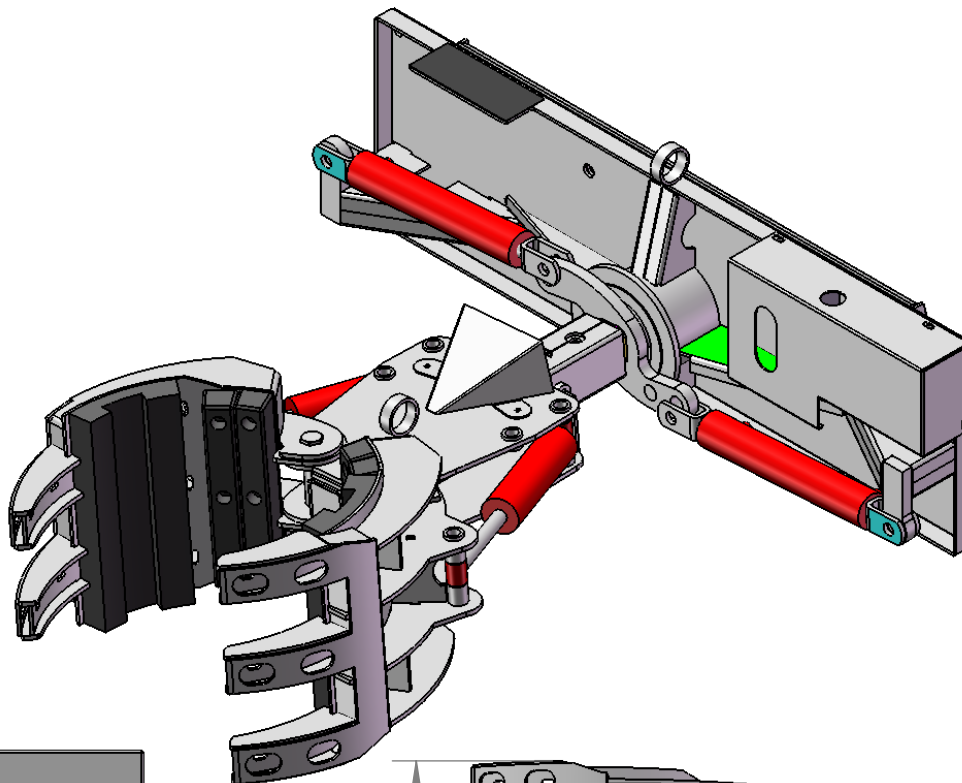


127° ROTATION TO OPERATOR'S LEFT



PROPRIETARY AND CONFIDENTIAL
THE INFORMATION CONTAINED IN THIS
DRAWING IS THE SOLE PROPERTY OF
EZ-SPOT-UR. ANY REPRODUCTION IN PART
OR AS A WHOLE WITHOUT THE WRITTEN
PERMISSION OF EZ-SPOT-UR IS PROHIBITED.

| | | | | |
|-------------|---------|--------------------------------------|-----------|---------|
| | | UNLESS OTHERWISE SPECIFIED: | NAME | DATE |
| | | DIMENSIONS ARE IN INCHES | DRAWN | TIM R |
| | | TOLERANCES: | CHECKED | 8-16-10 |
| | | FRACTIONAL ± | ENG APPR. | |
| | | ANGULAR: MACH ± BEND ± | MFG APPR. | |
| | | TWO PLACE DECIMAL ± | Q.A. | |
| | | THREE PLACE DECIMAL ± | COMMENTS: | |
| | | INTERPRET GEOMETRIC TOLERANCING PER: | | |
| | | MATERIAL | | |
| | | FINISH | | |
| NEXT ASSY | USED ON | | | |
| APPLICATION | | DO NOT SCALE DRAWING | | |

EZ-SPOT-UR

TITLE:
**ASSY, (NO ROTATION
CLOSED BACK PIVOT)**

SIZE DWG. NO. REV
A TH-01-0007

SCALE: 1:16 WT: 782.26 LBS SHEET 1 OF 8