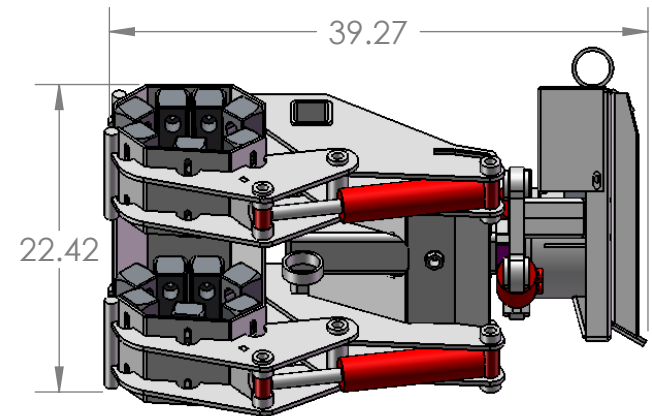
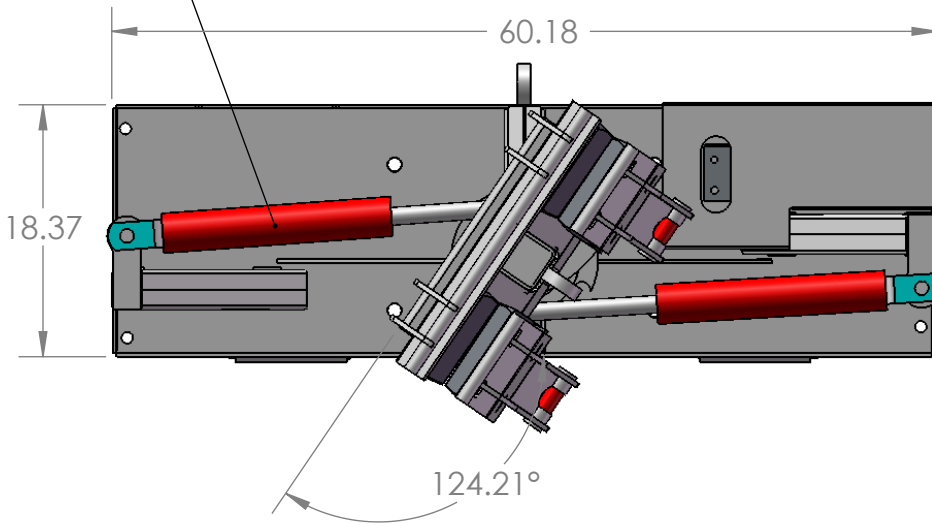
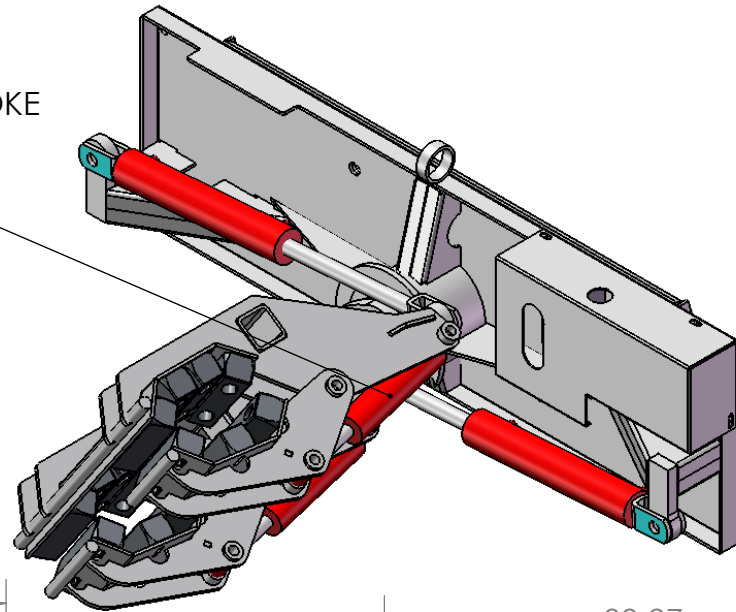


WEIGHT = 730 LBS.

(HOSES RATED FOR 15,000 PSI BURST PRESSURE)

2X 2" BORE X 6" STROKE
CYLINDER
9425 LB PUSH
7069 LB PULL

2X 3" BORE X 12.5" STROKE
CYLINDER
21206 LB PUSH
17524 LB PULL



PROPRIETARY AND CONFIDENTIAL
THE INFORMATION CONTAINED IN THIS
DRAWING IS THE SOLE PROPERTY OF
EZ-SPOT-UR. ANY REPRODUCTION IN PART
OR AS A WHOLE WITHOUT THE WRITTEN
PERMISSION OF EZ-SPOT-UR IS PROHIBITED.

		UNLESS OTHERWISE SPECIFIED:	NAME	DATE
		DIMENSIONS ARE IN INCHES	DRAWN	TIM R. 4-29-2010
		TOLERANCES:	CHECKED	
		FRACTIONAL ±	ENG APPR.	
		ANGULAR: MACH ± BEND ±	MFG APPR.	
		TWO PLACE DECIMAL ±	Q.A.	
		THREE PLACE DECIMAL ±	COMMENTS:	
		INTERPRET GEOMETRIC TOLERANCING PER:		
		MATERIAL		
		N/A		
		FINISH		
NEXT ASSY	USED ON			
APPLICATION		DO NOT SCALE DRAWING		

EZ-SPOT-UR

TITLE:

**ASSY, DOUBLE POLE
CLAW**

SIZE	DWG. NO.	REV
A	2W-01-0004 ROTATED	

SCALE: 1:14 WT: 730.15 LBS. SHEET 1 OF 1